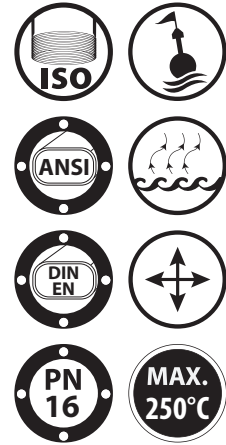


FLOAT TYPE STEAM TRAPS

BT-16 INVERTED BUCKET STEAM TRAP



Scan this QR Code



DESIGN

Product Features

Body	Ductile Iron GGG 40.3
Cover	Ductile Iron GGG 40.3
Internals and float	Ductile Iron GGG 40.3
Connection Types	Threaded

Operating Conditions

Max. Operating Pressure (PMO)	16 bar
Max. Operating Temperature (TMO)	220°C
Max. Differential Pressure (ΔP)	5,4-8,5-15,5bar

Operation

BT-16 Inverted Bucket Steam Trap is used for discharging the condensate by a mechanical bucket system. Steam and condensate enter the trap through an inlet tube. Condensate flows down and around the bottom of the bucket, rising in the body of the trap until it completely encloses the bucket. Steam collects under the bucket, displacing the condensate. The trap's valve is pushed toward the seat by the rising bucket until the pressure differential across the seat snaps the valve closed. Any air under the bucket flows through the vent and the steam and air collect in a chamber at the top of the bucket. Steam trapped in the steam space of the heat exchanger gives up its heat, condenses, and is drained to the trap. As the steam under the bucket is replaced by the condensate from the heat exchanger, the bucket loses its buoyancy and sinks, pulling the valve from the seat.

Installation

SK-61 can be used vertically as the inlet to stay up the top and the outlet to remain at the bottom. It can also be installed horizontally from right to the left or opposite way. If it is not indicated differently in the order sheet, it will be assumed as right to the left.

Condensate Discharge Chart

Red Chart

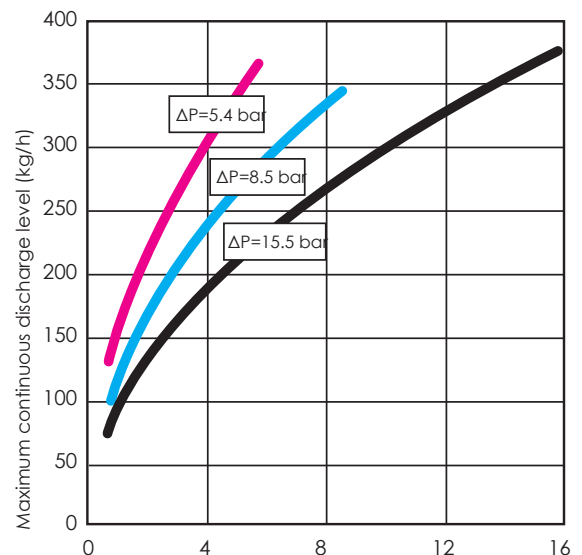
For 14 bar diff. pressure

Blue Chart

For 10 bar diff. pressure

Black Chart

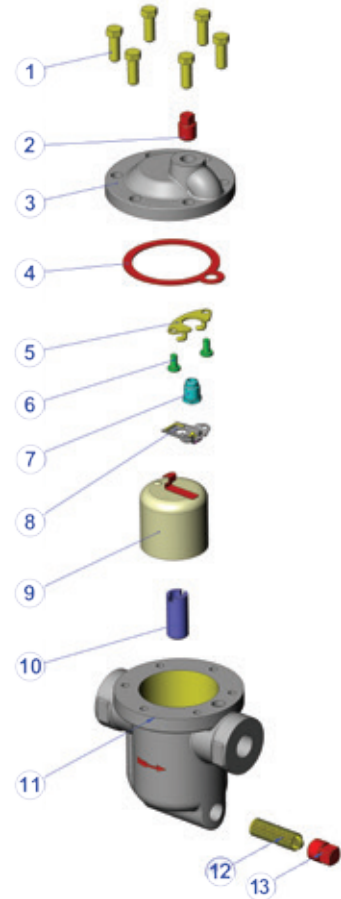
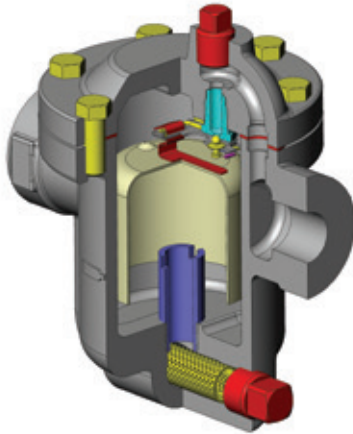
For 4,5 bar diff. pressure



FLOAT TYPE STEAM TRAPS

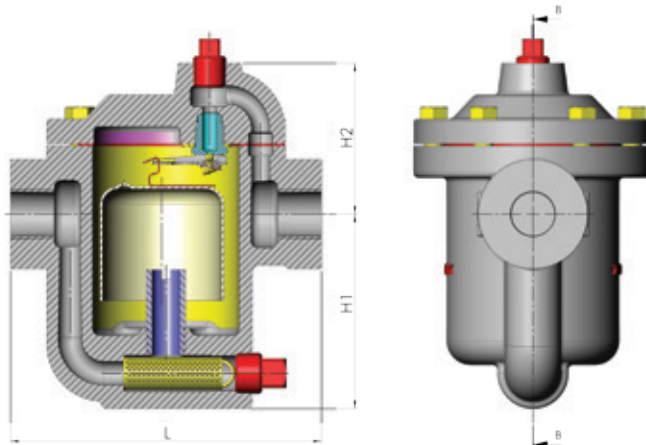
BT-16 INVERTED BUCKET STEAM TRAP

Construction



Part list		
No	Part Name	Material
1	Cover Nut	Stainless Steel AISI 304
2	Plug	Ductile Iron GG 25
3	Cover	Ductile Iron GG 25
4	Gasket	Klingerit Without Asbestos
5	Guide	Stainless Steel AISI 304
6	Nut	Stainless Steel AISI 304
7	Bucket Seat	Stainless Steel AISI 304
8	Ball Guide	Stainless Steel AISI 304
9	Bucket	Stainless Steel AISI 304
10	Adjustment Nut	Stainless Steel AISI 304
11	Body	Ductile Iron GG 25
12	Strainer	Stainless Steel AISI 304
13	Strainer Plug	Stainless Steel AISI 304

Dimensions



Dimensions				
Size	Code	Threaded		
		H1 (mm)	H2 (mm)	L (mm)
1/2"	708205502000	78	65	127
3/4"	708205502005	78	65	127
1"	708205502010	100	65	127

All the dimensions in the table are given in "mm".
Subject to technical alterations and deviations resulting from the manufacturing process without giving any notification.